

Company Contact Information

Cole-Parmer

Website: www.coleparmer.com
Address: 625 E. Bunker Court
Vernon Hills, IL 60061
Phone: 1-800-323-4340
Email: info@coleparmer.com

Grainger

Website: www.grainger.com
Address: 100 Grainger Parkway
Lake Forest, IL 60045-5201
Phone: 1-800-GRAINGER

iBoats

Website: www.iboats.com
Address: 170 Election Road, Suite 100
Draper, UT 84020
Phone: 1-800-914-1123

McMaster Carr

Website: www.mcmaster.com
Address: 6100 Fulton Industrial Blvd. SW
Atlanta, GA 30336-2853
Phone: 404-346-7000

Mueller Industries, Inc

Website: www.muellerindustries.com
Address: 8285 Tournament Drive, Suite 150
Memphis, TN 38125
Phone: 901-753-3200

National Artcraft

Website: www.nationalartcraft.com

Address: 300 Campus Drive
Aurora, OH 44202

Phone: 1-888-937-2723

Email: sales@nationalartcraft.com

PVC Distributor

Website: www.flexpvc.com

Address: 1970 N. Leslie Street, #632
Pahrump, NV 89060

Phone: 1-888-PVC-FLEX

US Plastic

Website: www.usplastic.com

Address: 1390 Neubrecht Road
Lima Ohio, 45801-3196

Phones: 1-800-809-4217

Product Specification Sheets

iBoats, Sierra ¼" Fuel Line Primer Bulb

Part Number: 18-8002EP-1

Specifications:

- Item: Primer Bulb
- Dimensions: 2" Deep X 4.06" High X 7.62" Wide
- Material of Construction: Fluroelastomer Bulb with PVC barbed ends
- Color: Black

Grainger, ¼" IDEAL Stainless Steel Hose Clamp

Part Number: 1A527

Specifications:

- Item: Hose Clamp
- Maximum Diameter: 3/8"
- Minimum Diameter: 1/8"
- Material of Construction: Stainless Steel
- Color: Silver
- Manufacturing Model Number: 6202

Mueller Industries, Fitting Cleanout Adapter, PVC, 3 in

Part Number: 1WKR8

Specifications:

- Item: Fitting Cleanout Adapter with Plug
- Pipe Size: 3"
- Fitting: FNPT x Spigot
- Material of Construction: PVC
- Max Temp: 140 degrees F
- Color: White
- Schedule: DWV
- Standards: Cell Class 12454, ASTM D1784

- Sub-Category: Adapters

Mueller Industries Coupling, 3 in Slip, PVC, Schedule 40

Part Number: 429-030

Specifications:

- Item: Coupling
- Pipe Size: 3"
- Connection: Slip
- Material of Construction: PVC
- Max. Temp: 140 degrees F
- Max Pressure: 155 psi @ 73 degrees F
- Color: White
- Schedule: 40
- Standards: ASTM D2466, D1784, F1498, NSF/ANSI 14 & 16
- Compliance: Certified for use in potable water applications in CA & VT
- Sub-Category: Couplings

PVC Distributors, Clear Schedule 40 NSF 3" PVC Pipe

Specifications:

- Item: Pipe
- Inner Diameter: 3.042"
- Outer Diameter: 3.500"
- Material of Construction: PVC
- Max Pressure: 130 PSI
- Color: Clear
- Schedule: 40

PVC Distributors, Shallow Flat Cap

Part Number: P116-030

Specifications:

- Item: Fitting

- Inner Diameter: 3.50"
- Outer Diameter: 3.99"
- Socket Depth: 1.49"
- Color: White
- Sub-group: Caps

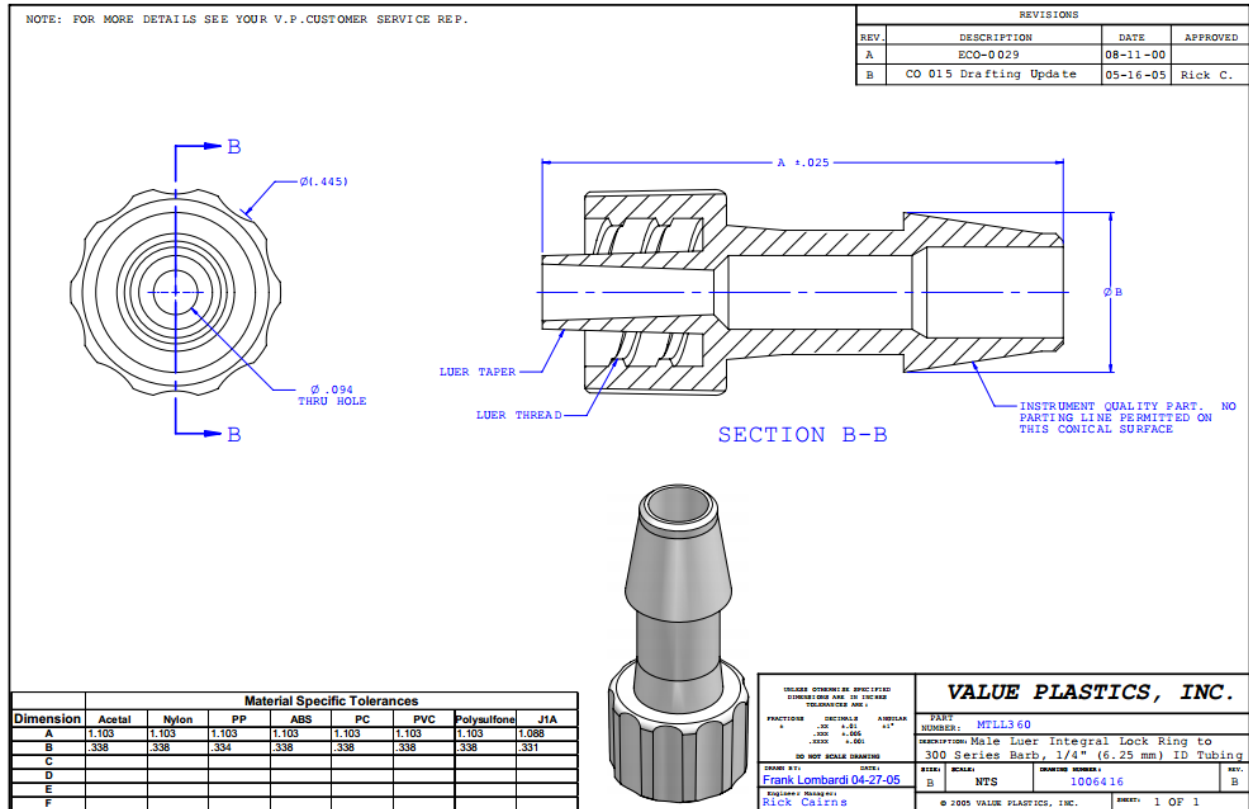
Cole-Parmer, Male Luer with Lock Ring x 1/4 in Hose Barb Adapter

Part Number: MTL055-6

Specifications:

- Item: Luer Fitting
- Material: Polypropylene
- Connection: Straight 1/4 in Hose Barb; Male Luer Fitting ; Integral Lock Ring

Mechanical Drawing:



Cole-Parmer, Female Luer x 1/4 in Hose Barb Adapter

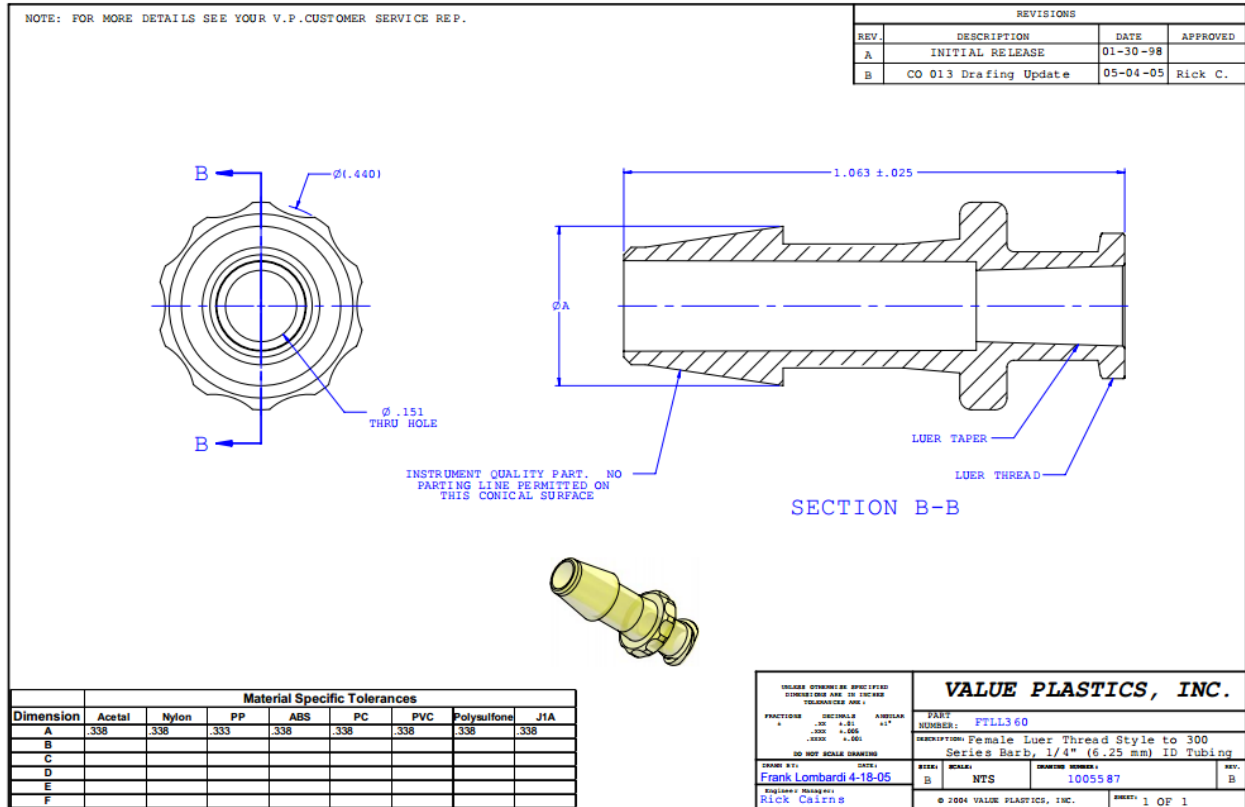
Part Number: FTLL055-6

Specifications:

- Item: Luer Fitting

- Material: Polypropylene
- Connection: Straight 1/4 in Hose Barb ; Female Luer Fitting

Mechanical Drawing:



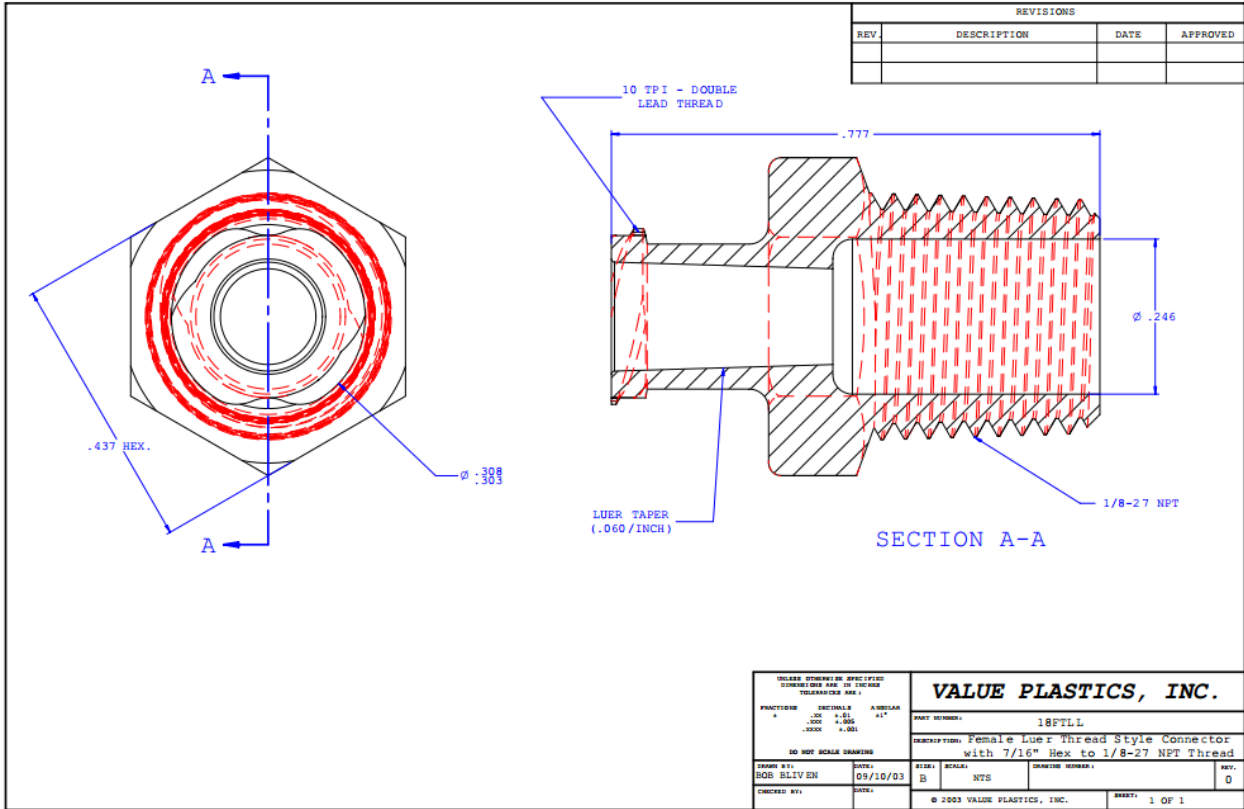
Cole-Parmer, Female Luer x 1/8-27 NPT Thread

Part Number: 18FTLL-1

Specifications:

- Item: Luer Fitting
- Material: Nylon
- Connection: 1/8-27 NPT Thread ; Female Luer Fitting

Mechanical Drawing:



Cole-Parmer, Male Luer x 1/8-27 NPT Thread

Part Number: 18FTLL-1

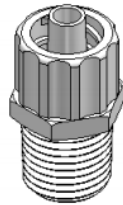
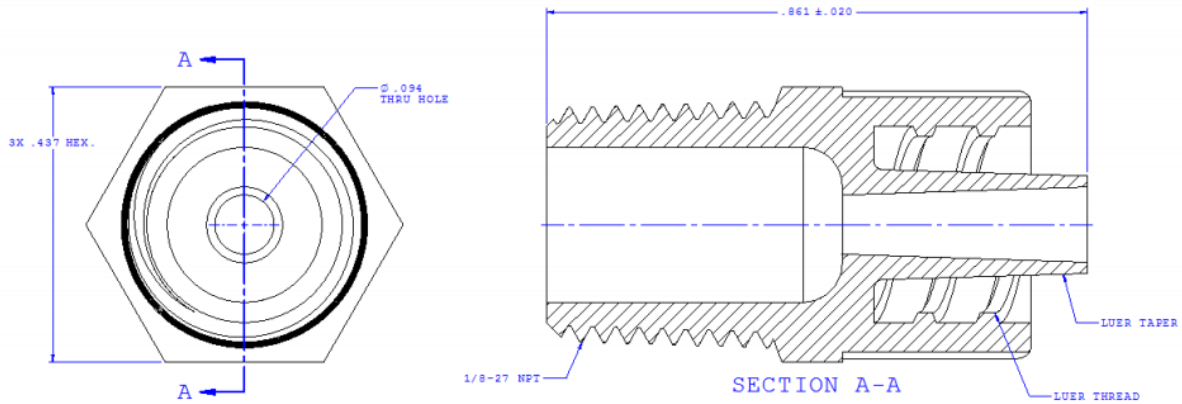
Specifications:

- Item: Luer Fitting
- Material: Nylon
- Connection: 1/8-27 NPT Thread ; Male Luer Fitting

Mechanical Drawing:

NOTE: FOR MORE DETAILS SEE YOUR V.P. CUSTOMER SERVICE REP.

| REVISIONS | | | |
|-----------|------------------------|----------|----------|
| REV. | DESCRIPTION | DATE | APPROVED |
| A | INITIAL RELEASE | 05-03-99 | |
| B | CO 046 Drafting Update | 03-11-09 | Rick C. |



| | | | |
|--|---|--|---|
| <small> VALUE PLASTICS, INC. 10000 S. 100th Ave. Suite 100 Denver, CO 80231 </small> | | VALUE PLASTICS, INC. | |
| <small> PART NUMBER: 18N11L DESCRIPTION: Male Luer Integral Lock Ring with 7/16" Hex to 1/8-27 NPT Thread </small> | | <small> PART NUMBER: 18N11L DESCRIPTION: Male Luer Integral Lock Ring with 7/16" Hex to 1/8-27 NPT Thread </small> | |
| <small> DRAWN BY: Frank Lombardi 04-21-06 </small> | <small> CHECKED BY: Rick Cairns </small> | <small> QUANTITY: B </small> | <small> QUANTITY: 1008662 </small> |
| <small> © 2006 VALUE PLASTICS, INC. </small> | | <small> SHEET: 1 OF 1 </small> | |

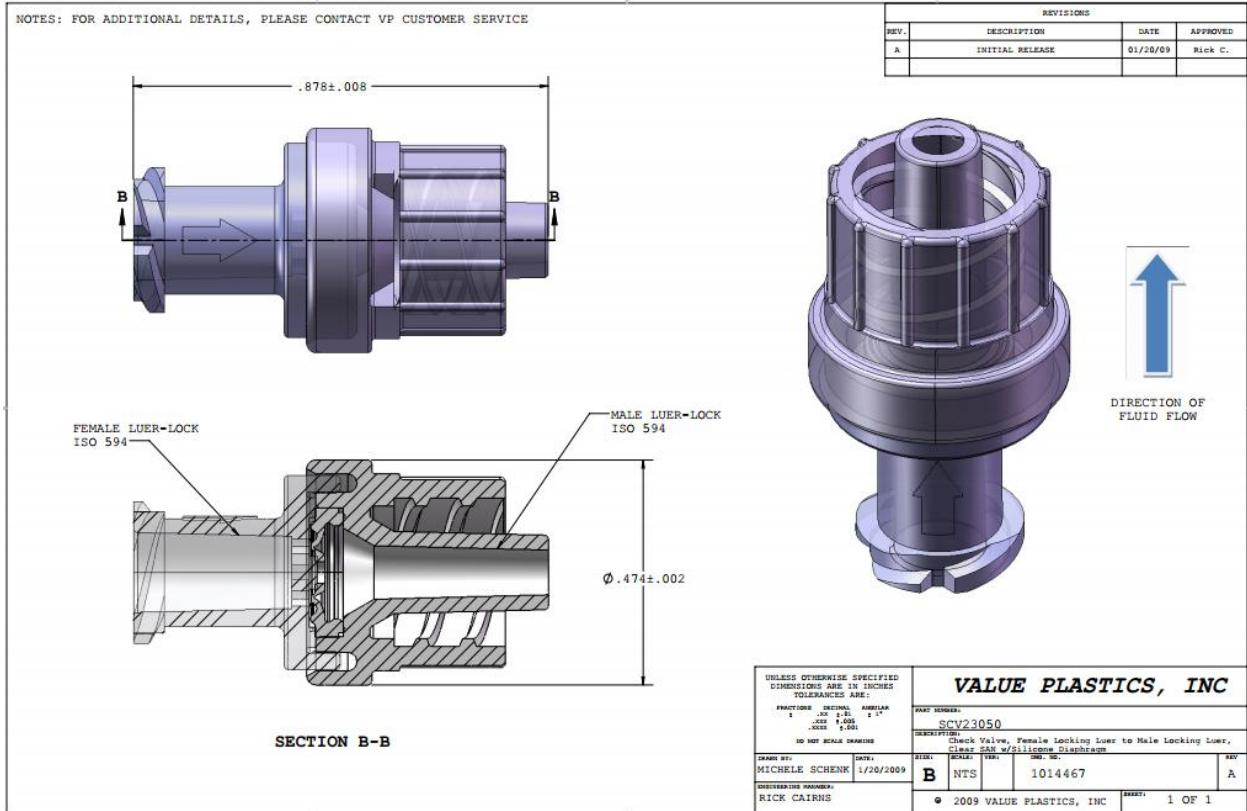
Cole-Parmer, One Way Luer Check Valve

Part Number: SCV23050

Specifications:

- Item: Luer Fitting
- Material: SAN with Silicone Diaphragm
- Connection: Female Luer Fitting ; Male Luer Fitting

Mechanical Drawing:



Cole-Parmer, Male Luer One Way Stopcock

Part Number: WU-30600-00

Specifications:

- Item: Luer Fittings
- Material: Polycarbonate body ; HDPE stem
- Connection: Male Luer Lock ; Male Luer Slip ; Straight

McMaster Carr, 1/4" ID- 3/8" OD PVC Tubing

Part Numbers: 9446K451 (Blue) and 9445K421 (Red)

Specifications:

- Item: Tubing for flow
- Material: PVC
- Inner Diameter: 1/4"
- Outer Diameter: 3/8"
- Color: Red and Blue
- Temperature Range: -20° to 180° F
- Properties: Very flexible yet firm

US Plastic, 1/4" to 5/16" 4-Way Polypropylene Connector

Part Number: 222945

Specifications:

- Item: Tube Connector

- Material: Polypropylene

- Outer Diameter: 1/4" to 5/16"

- Color: White

- Properties: Serrated Ends for Easy Attachment

- Catalog Page Number: P-139

McMaster Carr, Clamp-Style Pinch Valve for Tubing

Part Number: 53345K35

Specifications:

- Item: Pinch Valve

- Material: Acetal

- Dimensions: For tubing 5/16" to 3/8" outer diameter

- Color: White